

CATWALKER SINGLE LANE

LET YOUR IMAGINATION RUN WILD

This conveyor belt lets your products "walk" through space. Use your imagination to create an unusual route. Amaze buyers, trade fair visitors or guests in your showroom with this moving presentation belt.



Dimensions

- Length: 1 - 70 m
- Width: 18 cm
- Height: 7 cm

Presentation platters

- Variable division: per 18 cm
1 platter (Ø 14 cm)
- Max. weight per platter:
approx. 2 kg

Power Consumption*

- 1 Motor: 150 W
 - 2 Motors: 300 W
 - 3 Motors: 450 W
- * Number of motors depends on the total length of the belt*

Power connection

- 1x 230 V

Projects with sample lanes

Below you will find three projects of the Catwalker Single Lane. The final purchase or rental price depends on the length as well as the transport and installation costs. Drawings of the conveyor belt sections can be found in Appendix 1.

Project 1: Bauma trade fair (Munich)



Route: about 20 Meter

Project 2: Trade fair Ambiente (Frankfurt)



Route: 100 x 700 cm

Project 3: Trade fair Ifas (Zurich)



Route: 200 x 300 cm

Design your own conveyor belt

You design your own circular route by combining straight and curved modules. You can view the available modules on the following pages ([tab Dimensions/Modules](#)).

Control Box

- Dimensions: 16 x 25 x 9 cm
- Operation: Start, stop and speed
- A cable runs from the control box to the motor(s) underneath the conveyor belt.
- The belt runs clockwise as standard.



Placing the conveyor on presentation furniture

Simply place the conveyor on your counter or table; a stable base is sufficient. Only the positioning of the motor(s) requires a small recess in your furniture. The side surface of the conveyor belt is made of black plastic. You can also recess the belt into your furniture; then only the top of the presentation belt is visible.

Questions?

You can also rent/sell the Catwalker Single Lane on our [website](#). There you will find, among other things, all the specifications of this presentation system. Do you still have questions about this compact plug-and-play presentation conveyor? Then don't hesitate to contact us!

Attachments:

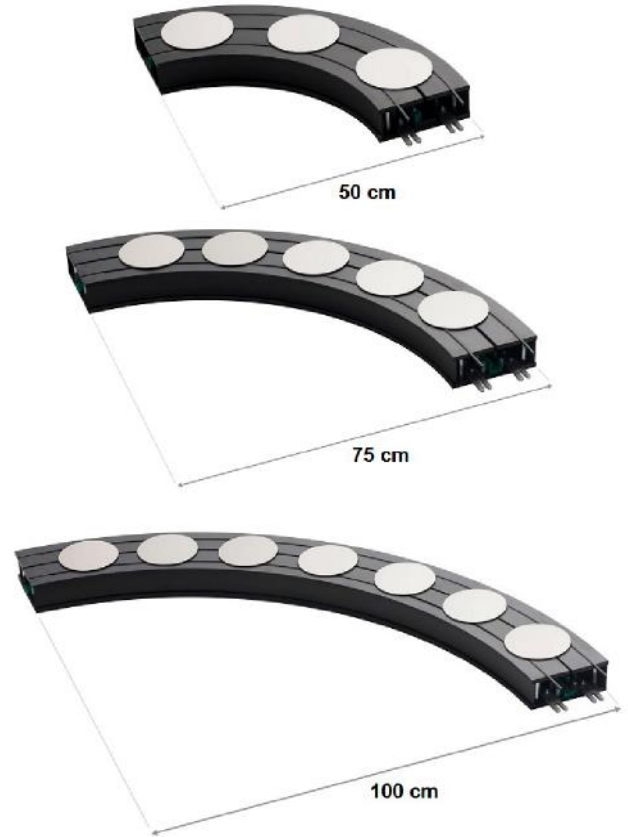
- Modules Catwalker Single Lane
- Enclosure 1: Schematic reproduction of project examples

Modules Catwalker Single Lane

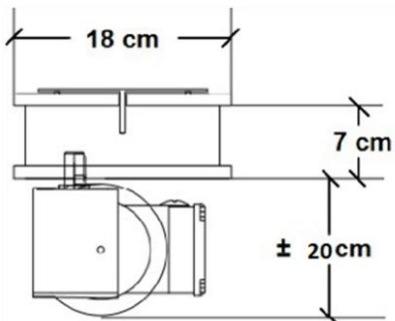
Straight Modules



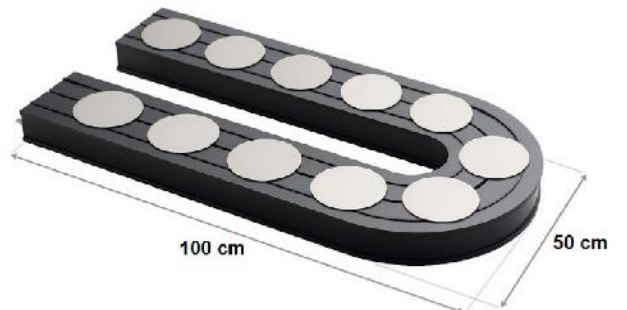
Curved Modules



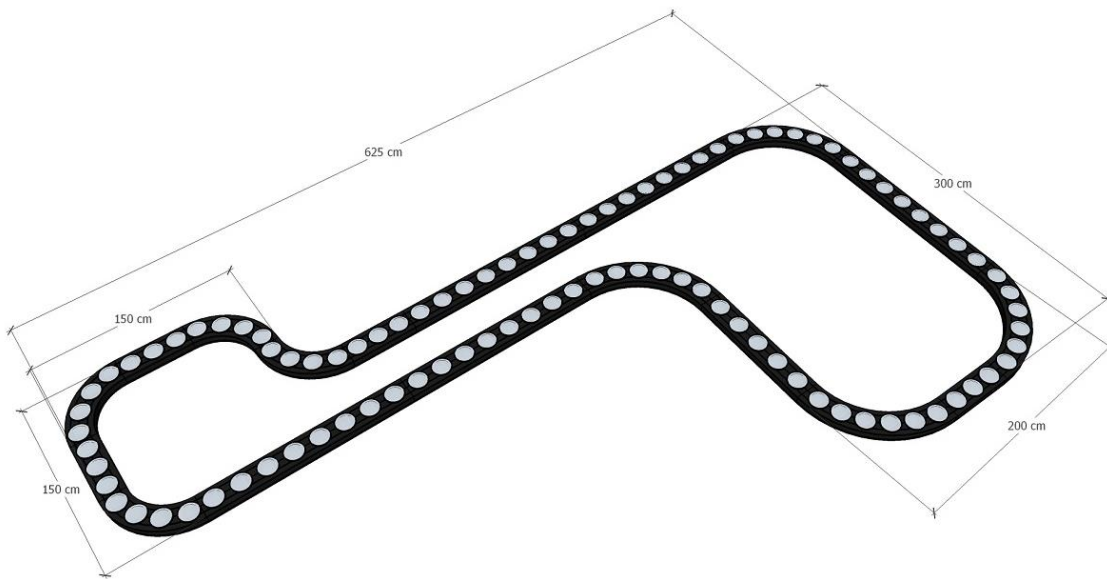
Motor underneath the Catwalker (side view)



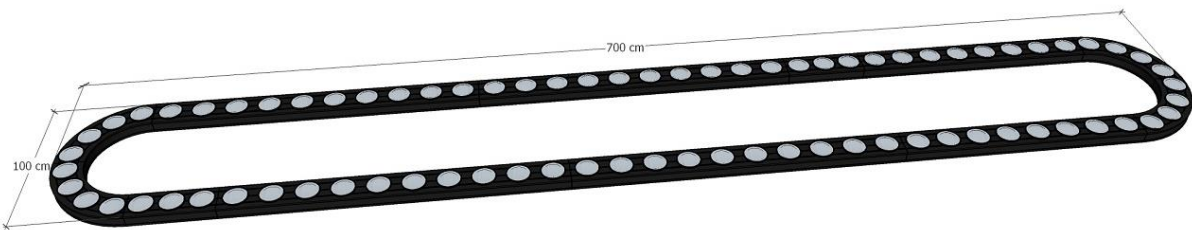
U-form Module



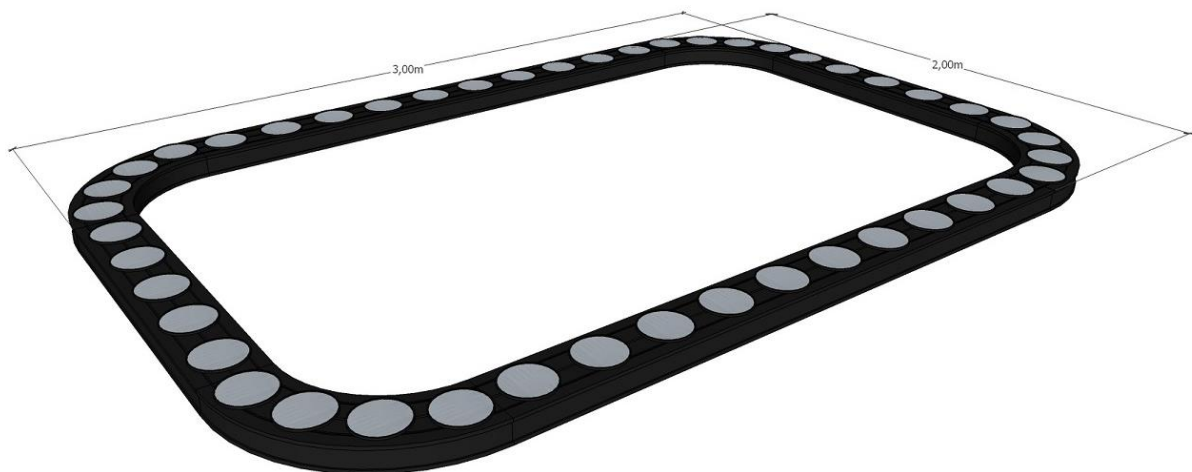
Enclosure 1: Schematic reproduction of project examples



Drawing project 1: approx. 20 m long conveyor belt route



Drawing project 2: 100 x 700 cm



Drawing project 3: 200 x 300 cm